

# HARDINGE DRAWBAR LINKUP ORDER FORM

## Request for Machine Spindle

Drawbar Linkups are required for mounting Hardinge Chucks and Collet Adaptation Chucks including the FlexC™ Collet System to CNC lathes. Fill in the requested information and dimensions corresponding to the illustration if you would like Hardinge to machine the drawbar linkup for your specific application. You may contact Hardinge for a preliminary quote prior to filling out this form at 800-843-8801.

\_\_\_\_\_  
Company

\_\_\_\_\_  
Contact Name

\_\_\_\_\_  
Address

\_\_\_\_\_  
City, State, Zip

\_\_\_\_\_  
Phone

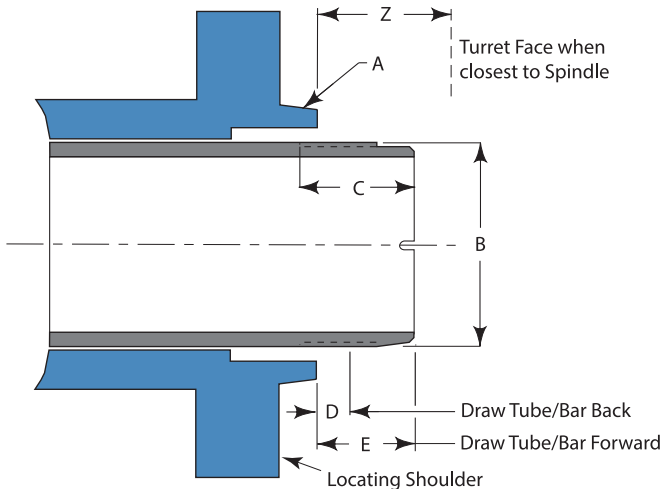
\_\_\_\_\_  
Fax

\_\_\_\_\_  
Machine Manufacturer

\_\_\_\_\_  
Machine Model

\_\_\_\_\_  
Actuator Manufacturer

\_\_\_\_\_  
FlexC™ System Part Number



### A. Spindle Configuration

- A2-5     A2-6     A2-8

or other \_\_\_\_\_

### B. Draw Tube / Bar Thread

- Left-hand or     Right-hand  
 Internal or     External Thread

C. Length of Thread \_\_\_\_\_

D/E. Distance from front of spindle to front of draw tube / bar when forward and retracted.

(Indicate positive {+} if the draw tube / bar is in front of the spindle face, or negative {-} if behind the spindle face)

D. Retracted (back) \_\_\_\_\_

E. Forward \_\_\_\_\_

Z. Turret Face when closest to Spindle \_\_\_\_\_

Email this form to [orders@hardinge.com](mailto:orders@hardinge.com) or fax to Hardinge Customer Service at 607.734.3886  
[www.ShopHardinge.com](http://www.ShopHardinge.com)  
 p. 800.843.8801



Email this form to [orders@hardinge.com](mailto:orders@hardinge.com).  
[www.ShopHardinge.com](http://www.ShopHardinge.com) • 800-843-8801